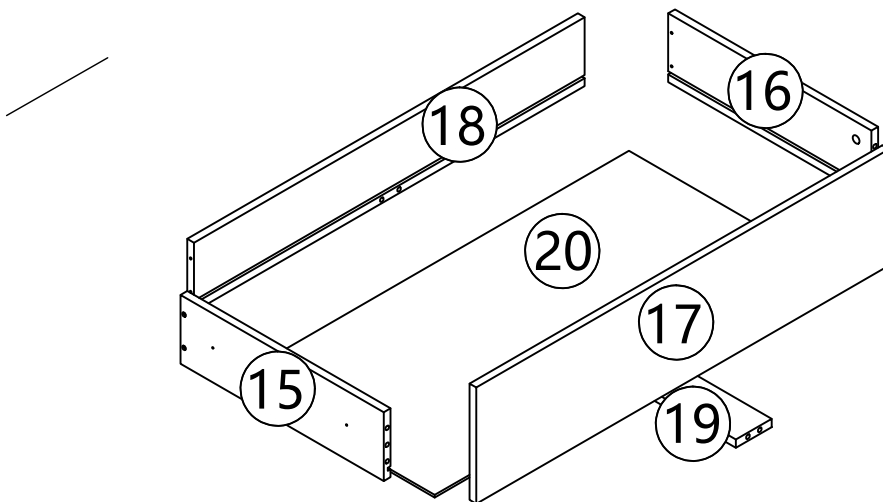
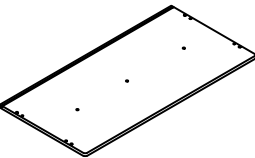
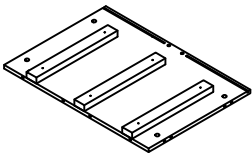
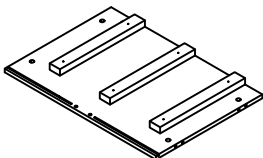
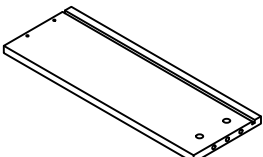
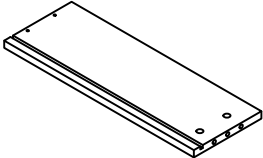
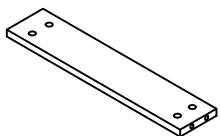
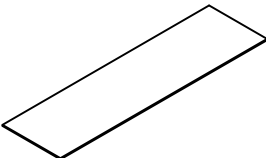
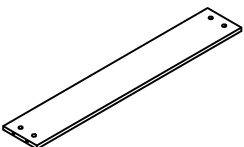
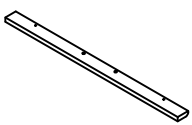
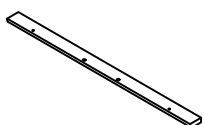


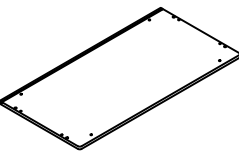
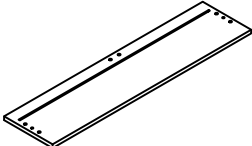
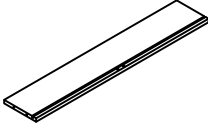
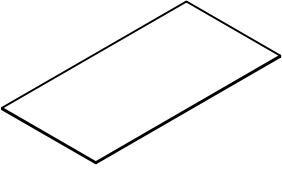
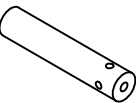
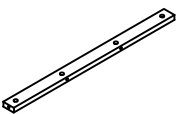
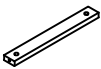
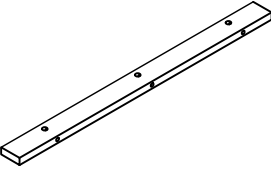
×3



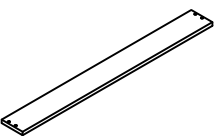
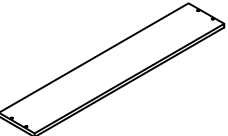

Part List : 1

			
①×1PC	③×1PC	④×1PC	⑮×3PCS
			
⑯×3PCS	⑲×3PCS	⑥×2PCS	⑤×1PC
			
⑦×1PC	⑳×1PC		

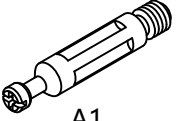

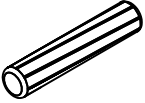


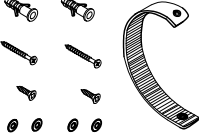
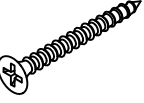
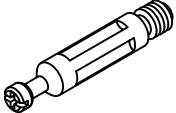

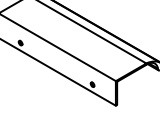
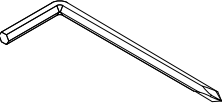


Part List : 2

			
②×1PC	⑰×3PCS	⑱×3PCS	⑳×3PCS
			
⑨×4PCS	⑩×2PCS	⑪×2PCS	⑧×1PC

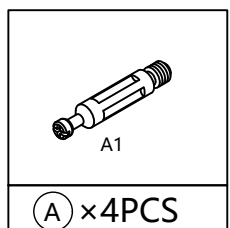
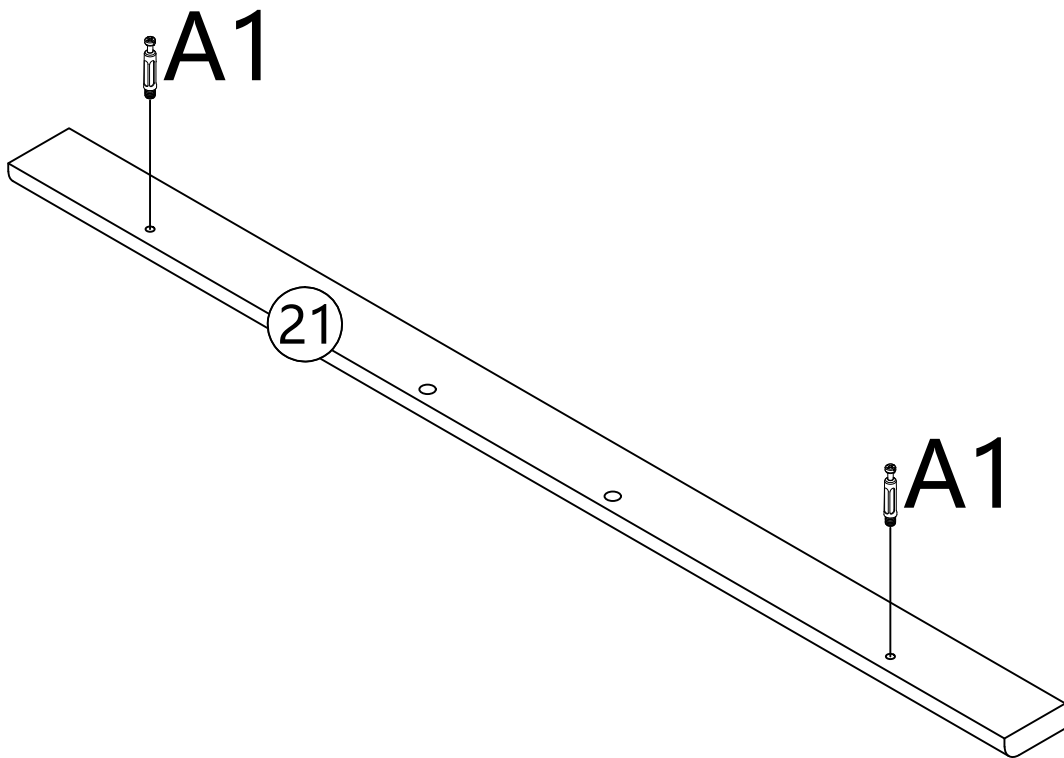
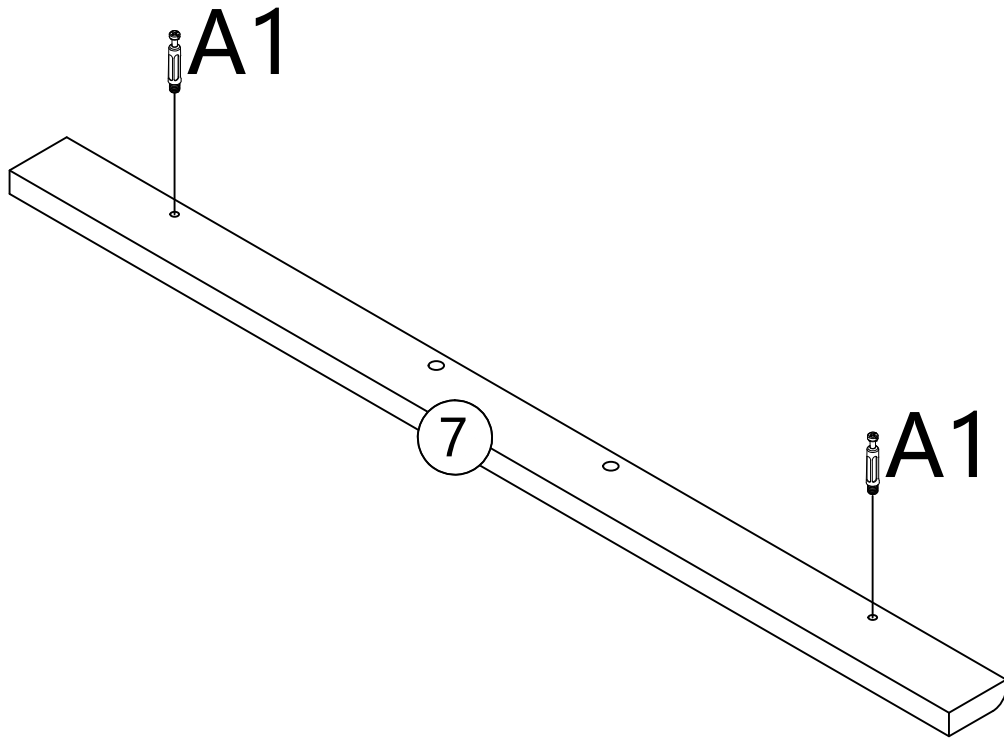
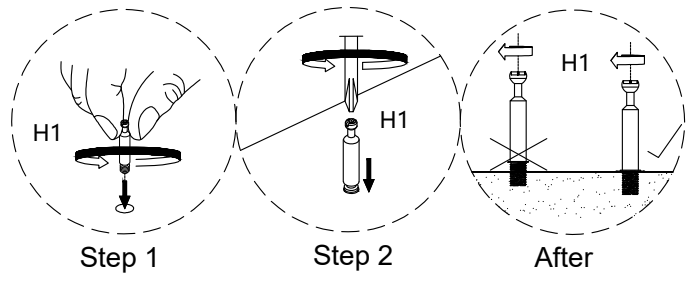
Part List : 3

		
⑫×1PC	⑬×1PC	⑭×2PCS

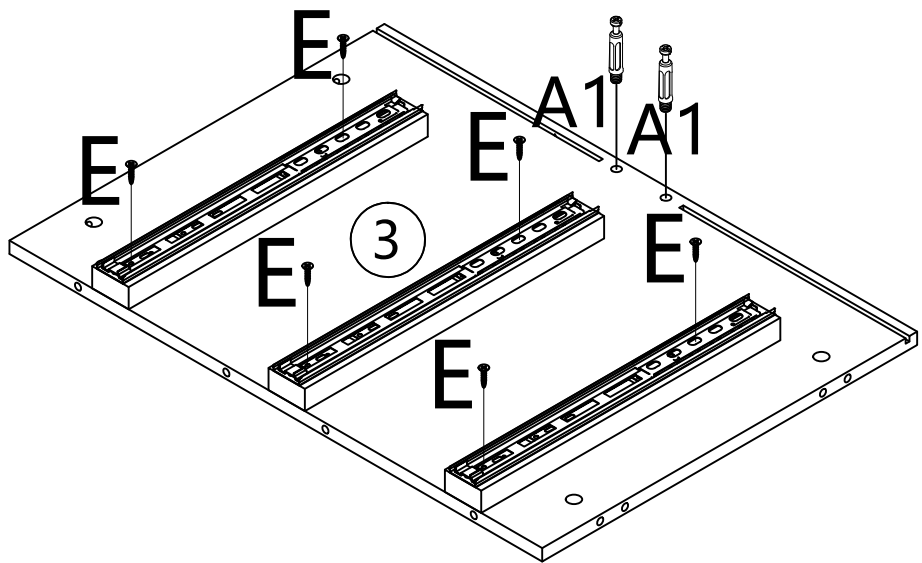
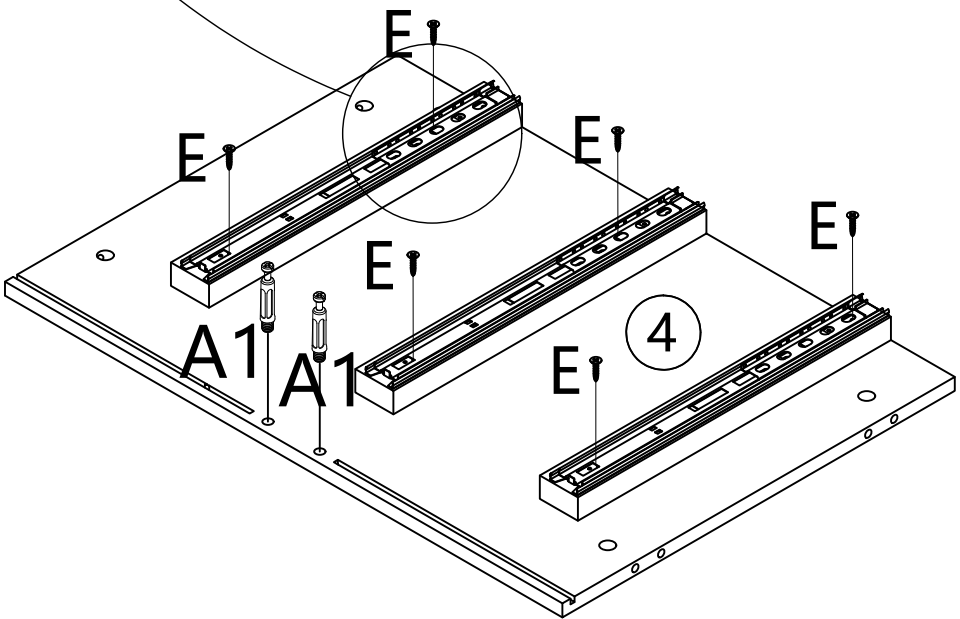
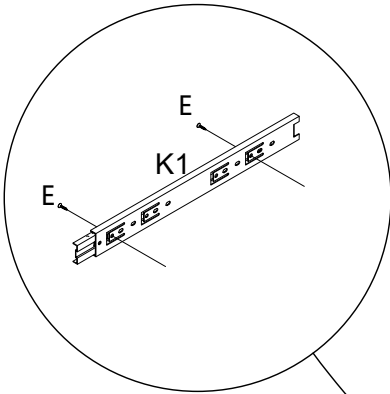
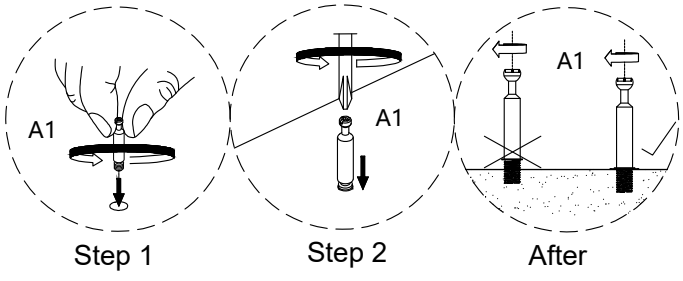
Hardware list:1



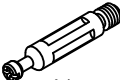
 <p>A1</p>  <p>A2</p>	 <p>8x 40MM</p>	 <p>M8 x 40MM</p>	 <p>3.5 x 14MM</p>	
<p>Ⓐ ×52PCS</p>	<p>Ⓑ ×18PCS</p>	<p>Ⓒ ×4PCS</p>	<p>Ⓔ ×36PCS</p>	<p>Ⓕ ×2SETS</p>
	 <p>H1</p>  <p>H2</p>			 <p>K1</p>  <p>K2</p>
<p>Ⓓ ×20PCS</p>	<p>Ⓗ ×3PCS</p>	<p>Ⓙ ×6PCS</p>	<p>Ⓚ ×2PCS</p>	<p>Ⓛ ×6PCS</p>

Step 1

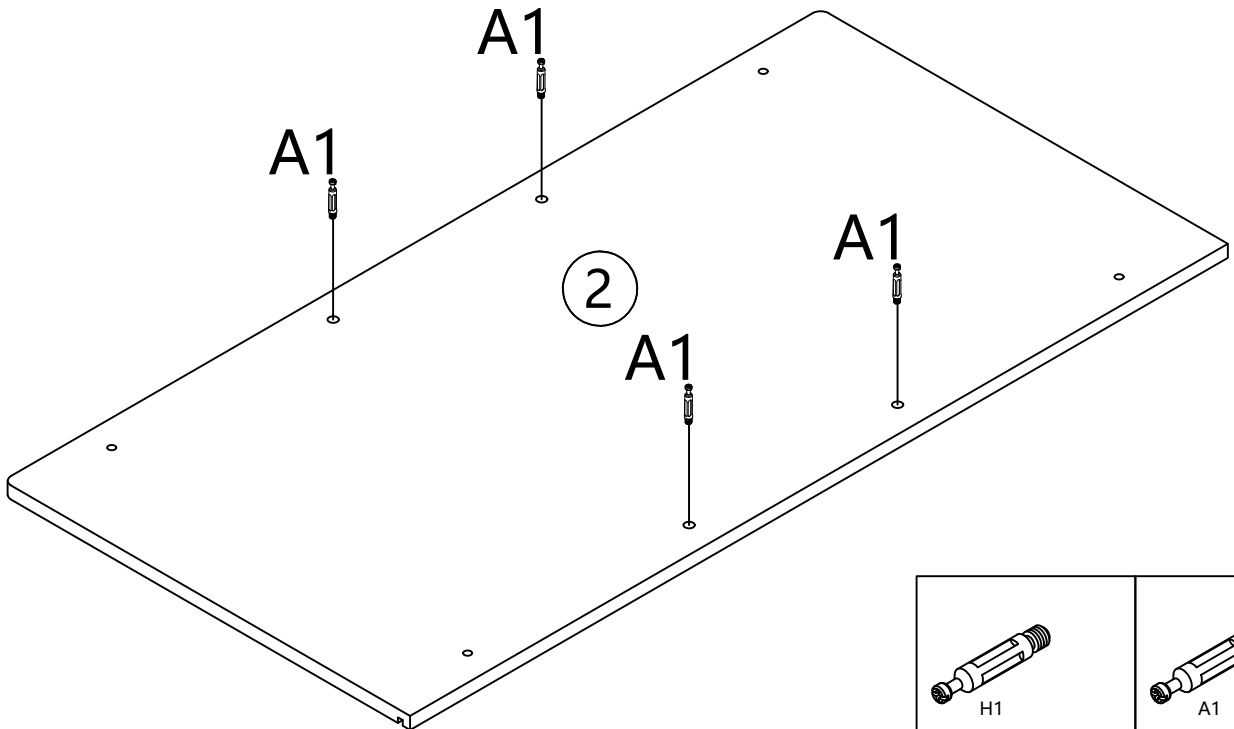
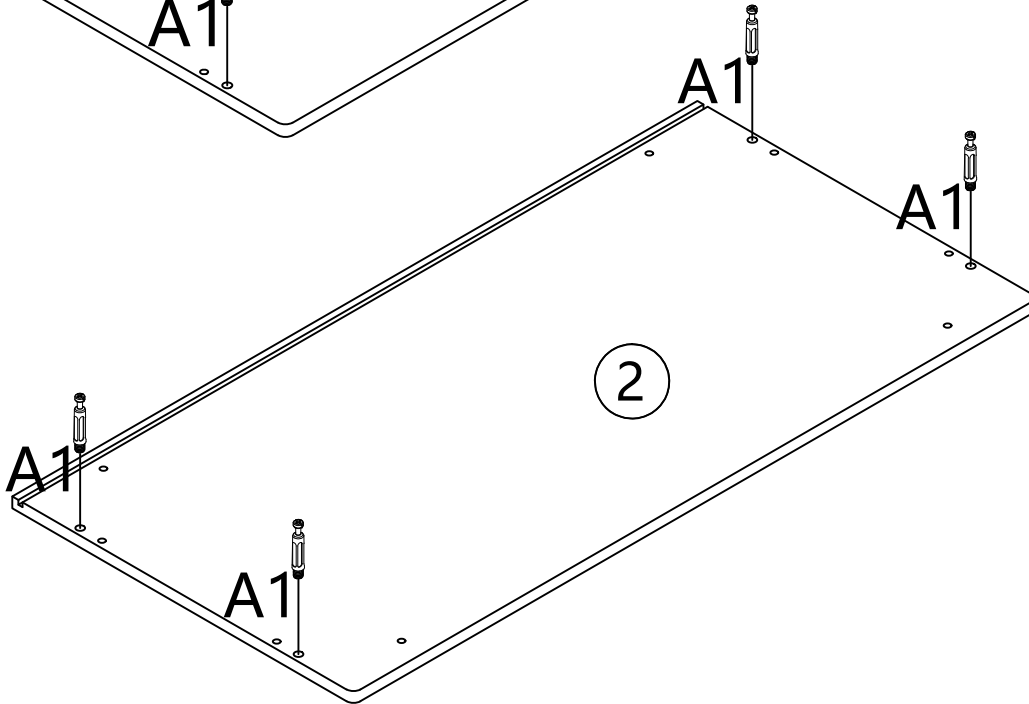
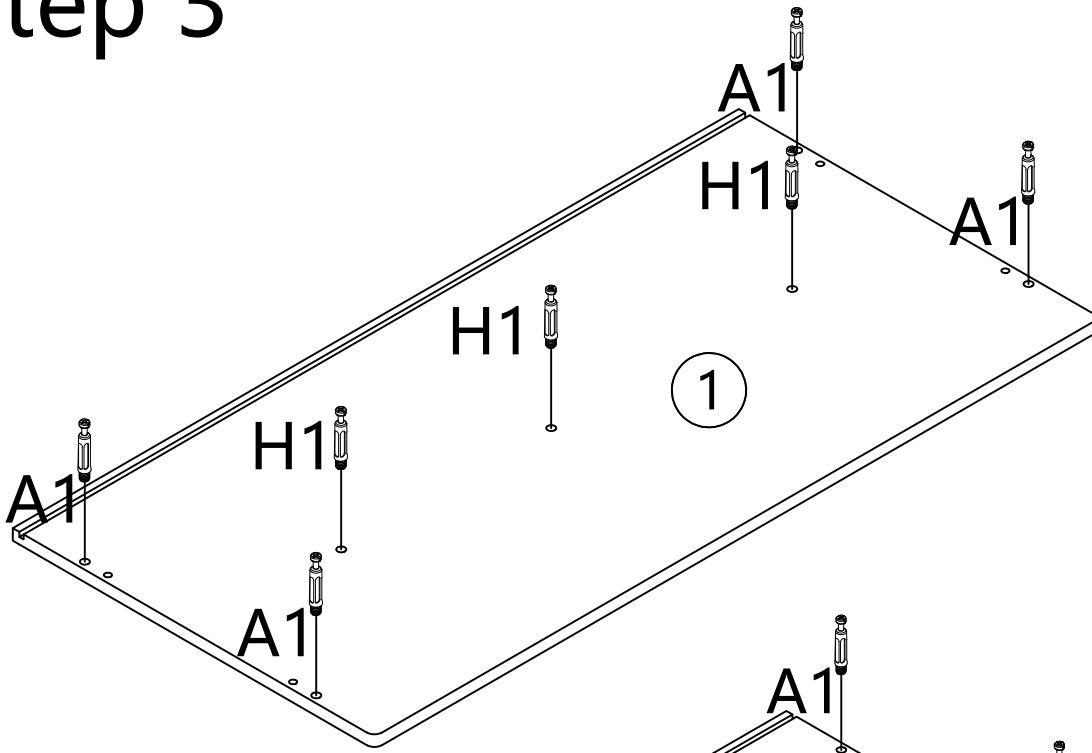



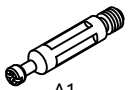
Step 2



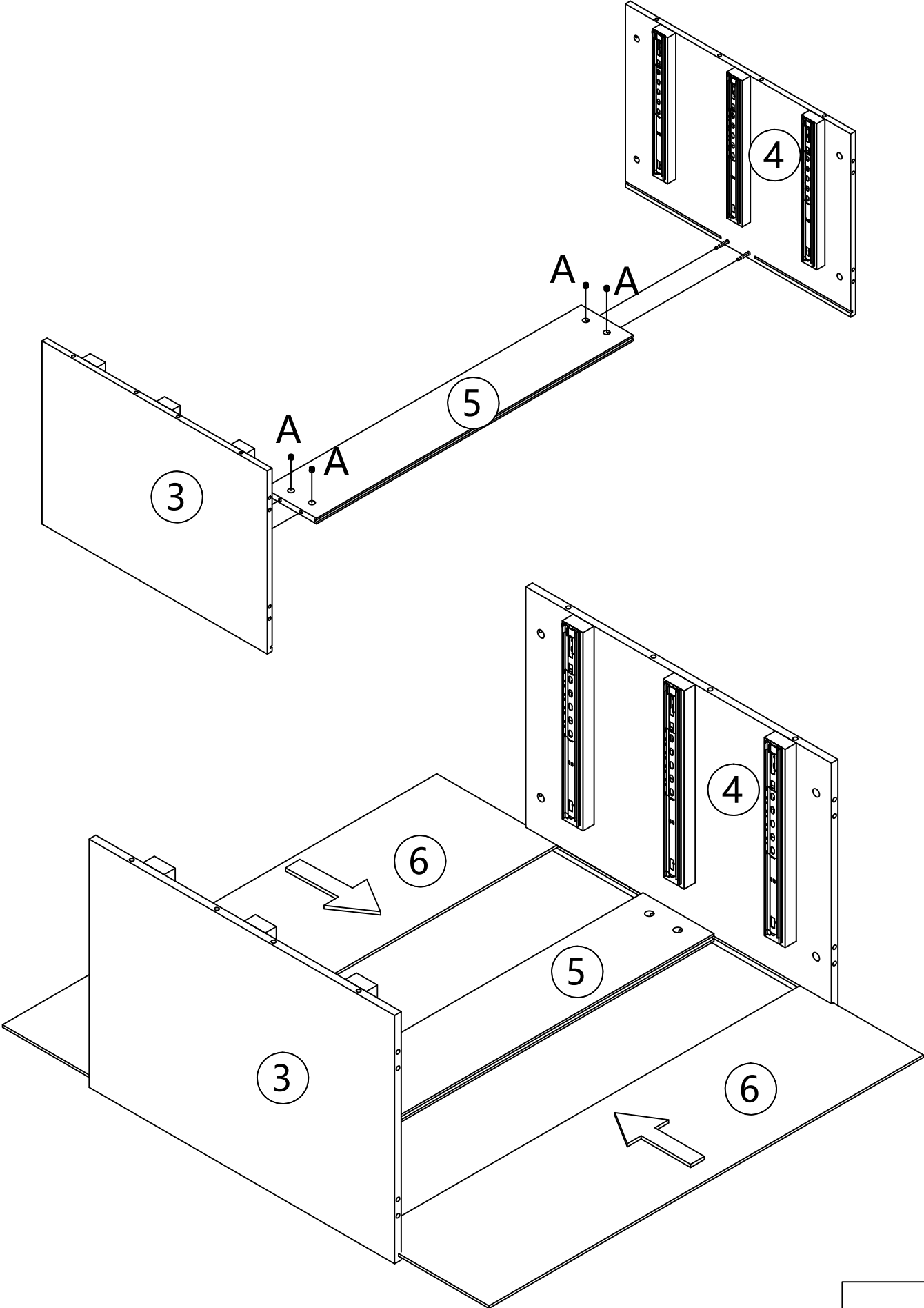
 3.5 x 14MM	 K1	 A1
(E) × 12PCS	(K) × 6PCS	(A) × 4PCS

Step 3



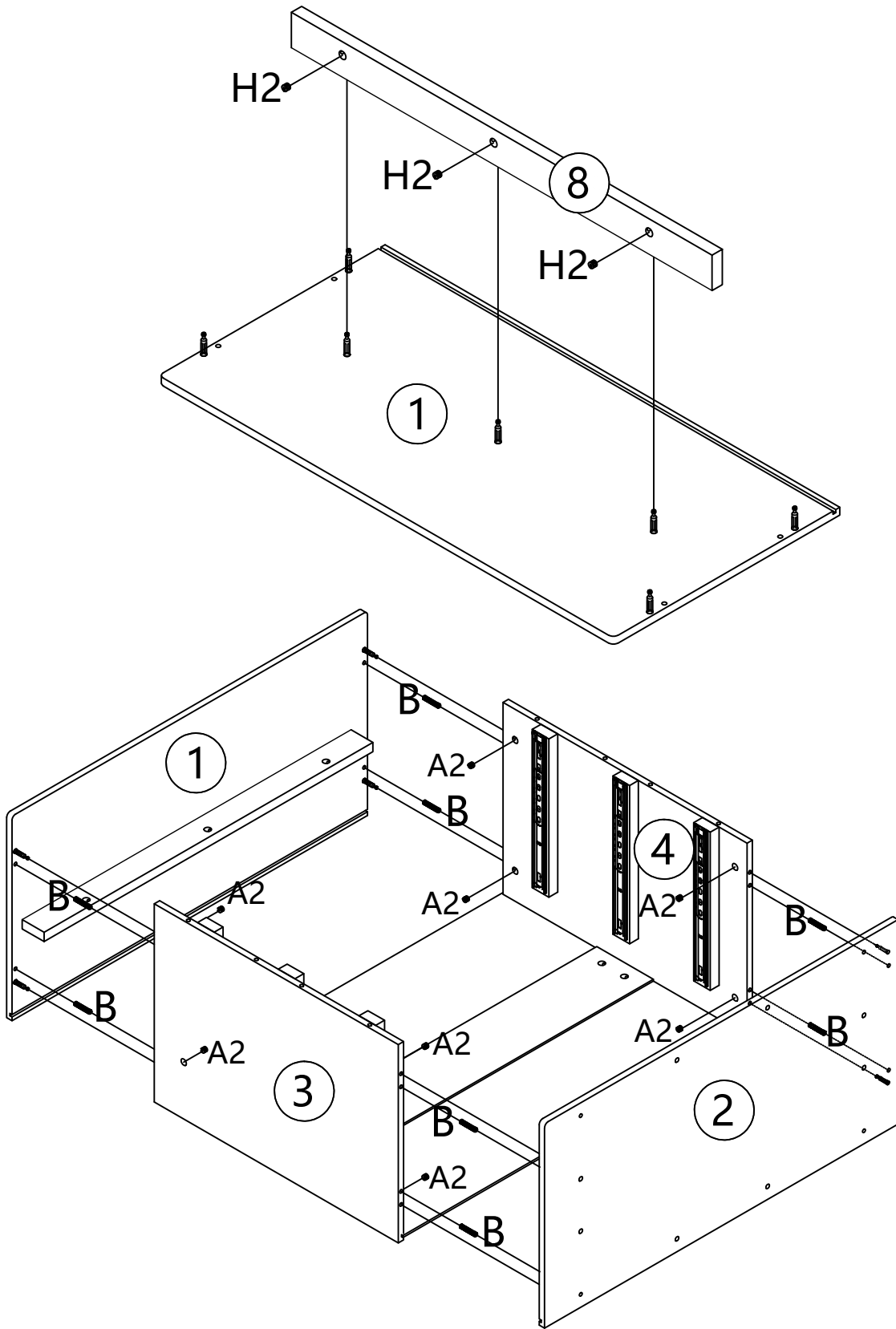
 H1	 A1
(H) × 3PCS	(A) × 12PCS



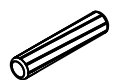
Step 4



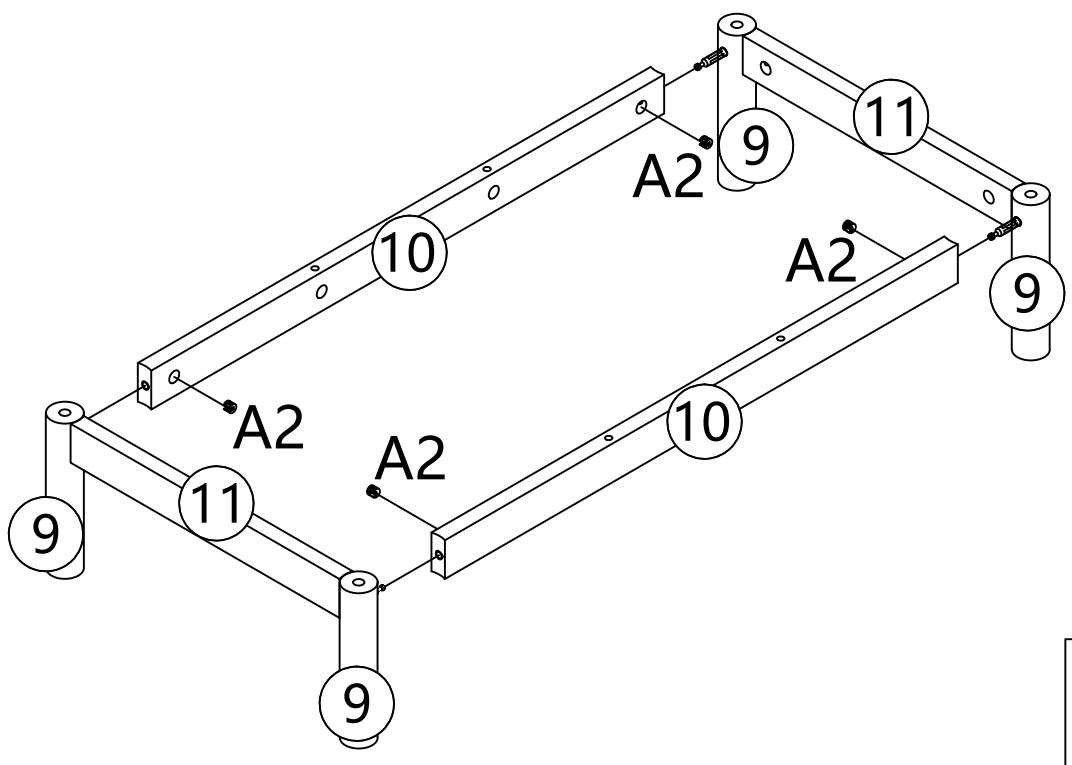
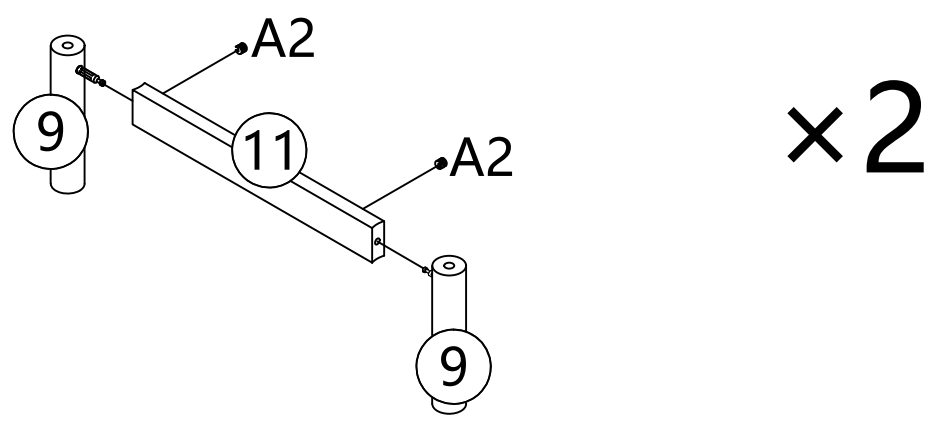
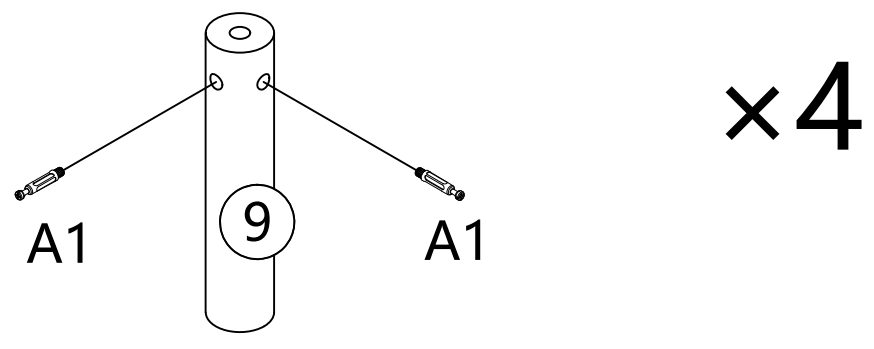
A2
A x4PCS

Step 5



 H2	 A2	 8x 40MM
(H) x3PCS	(A) x8PCS	(B) x8PCS

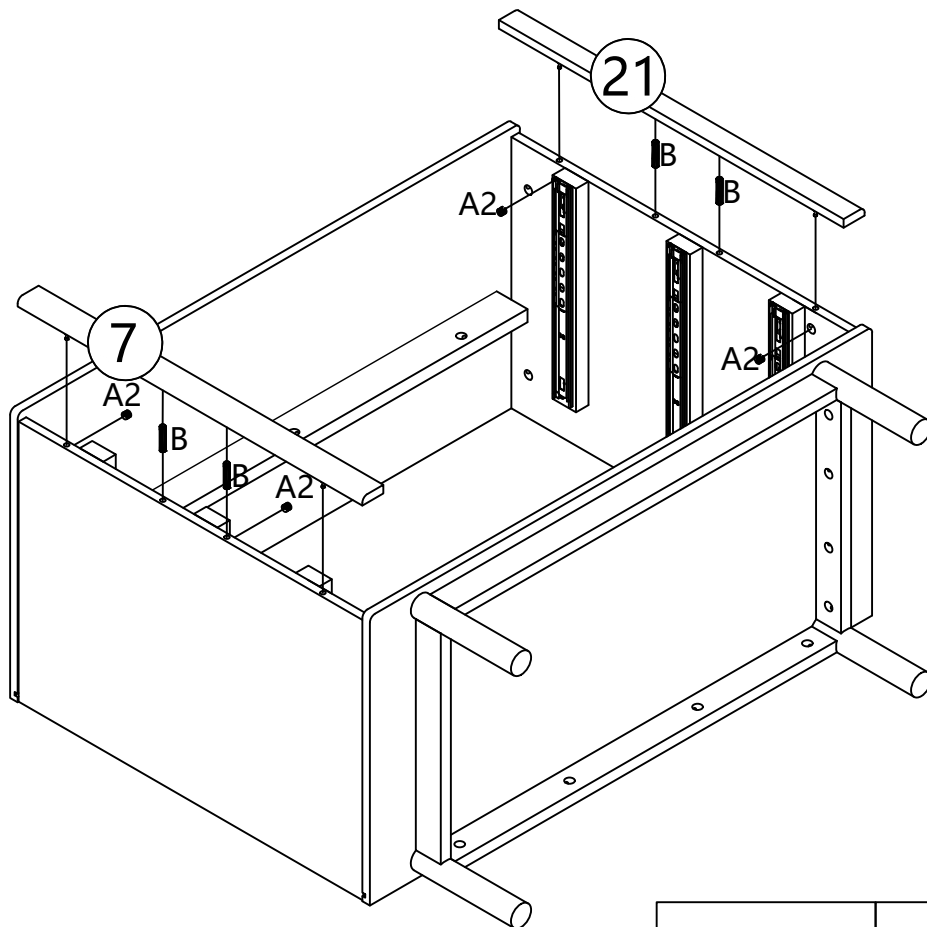
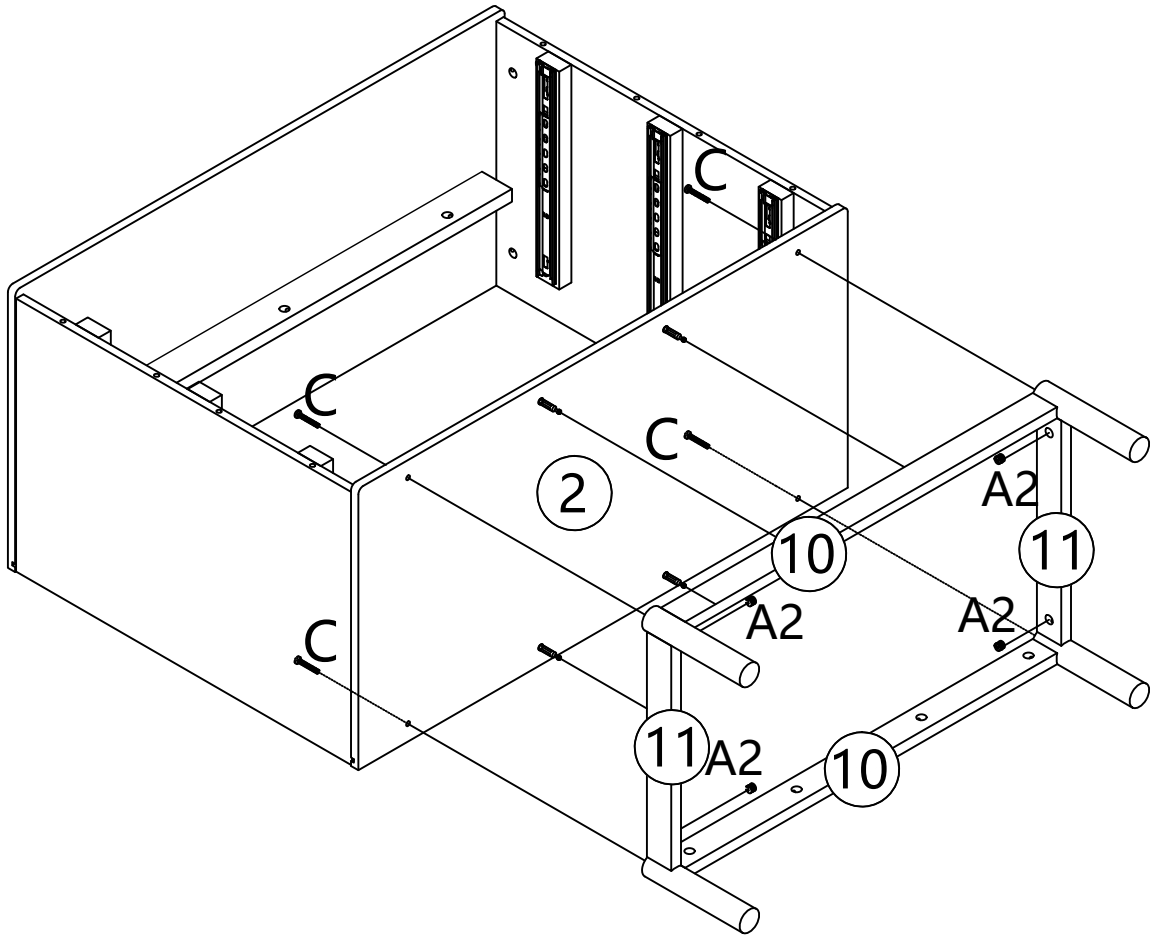
Step 6

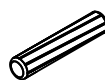




A1 A2

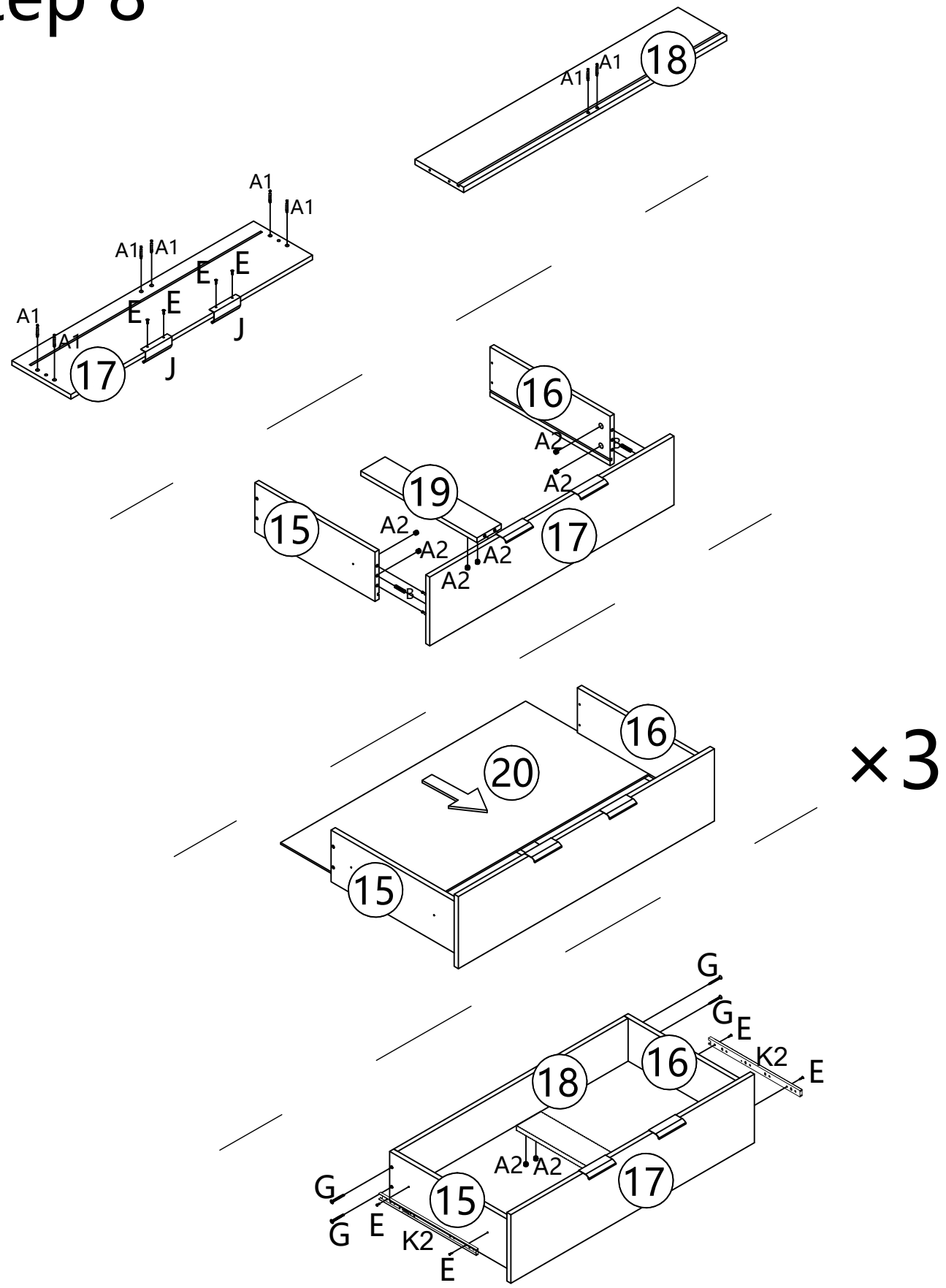
(A) ×8PCS

Step 7

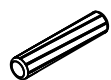


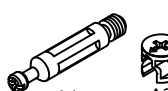

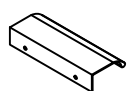


 8x 40MM	 M8 x 40MM	 A2
(B) x 4PCS	(C) x 4PCS	(A) x 8PCS

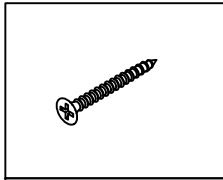
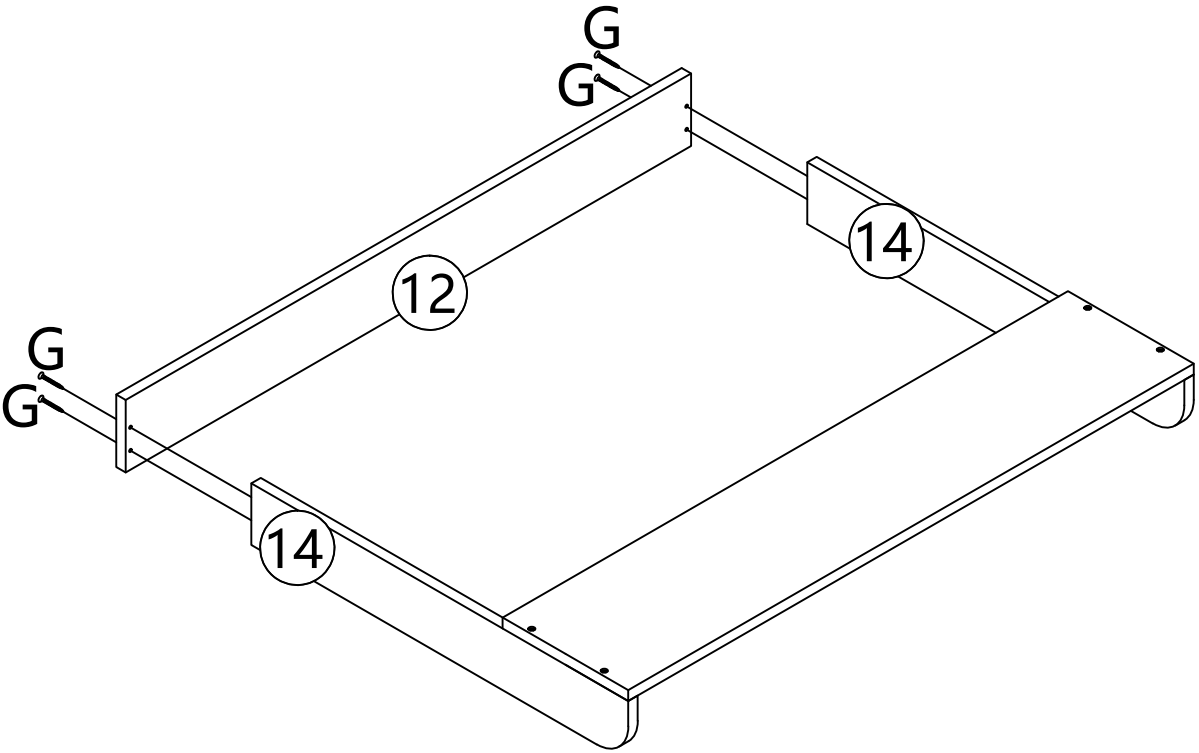
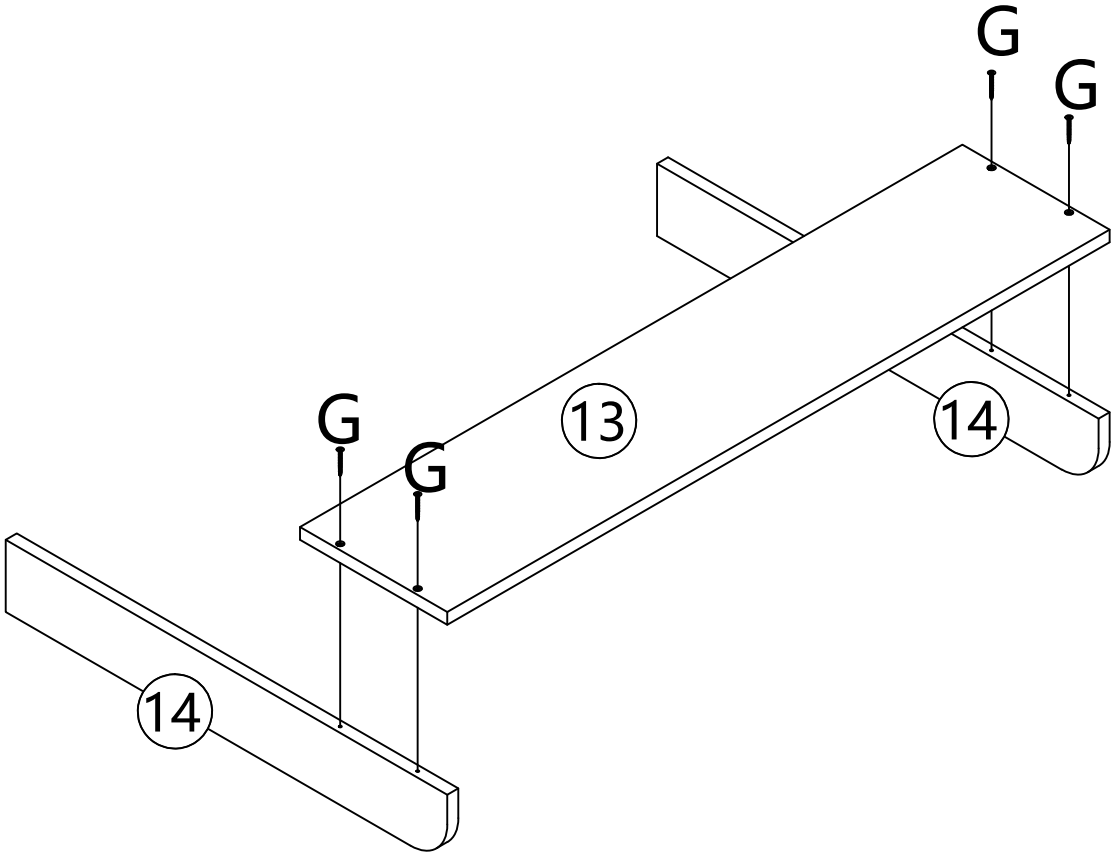
Step 8



×3

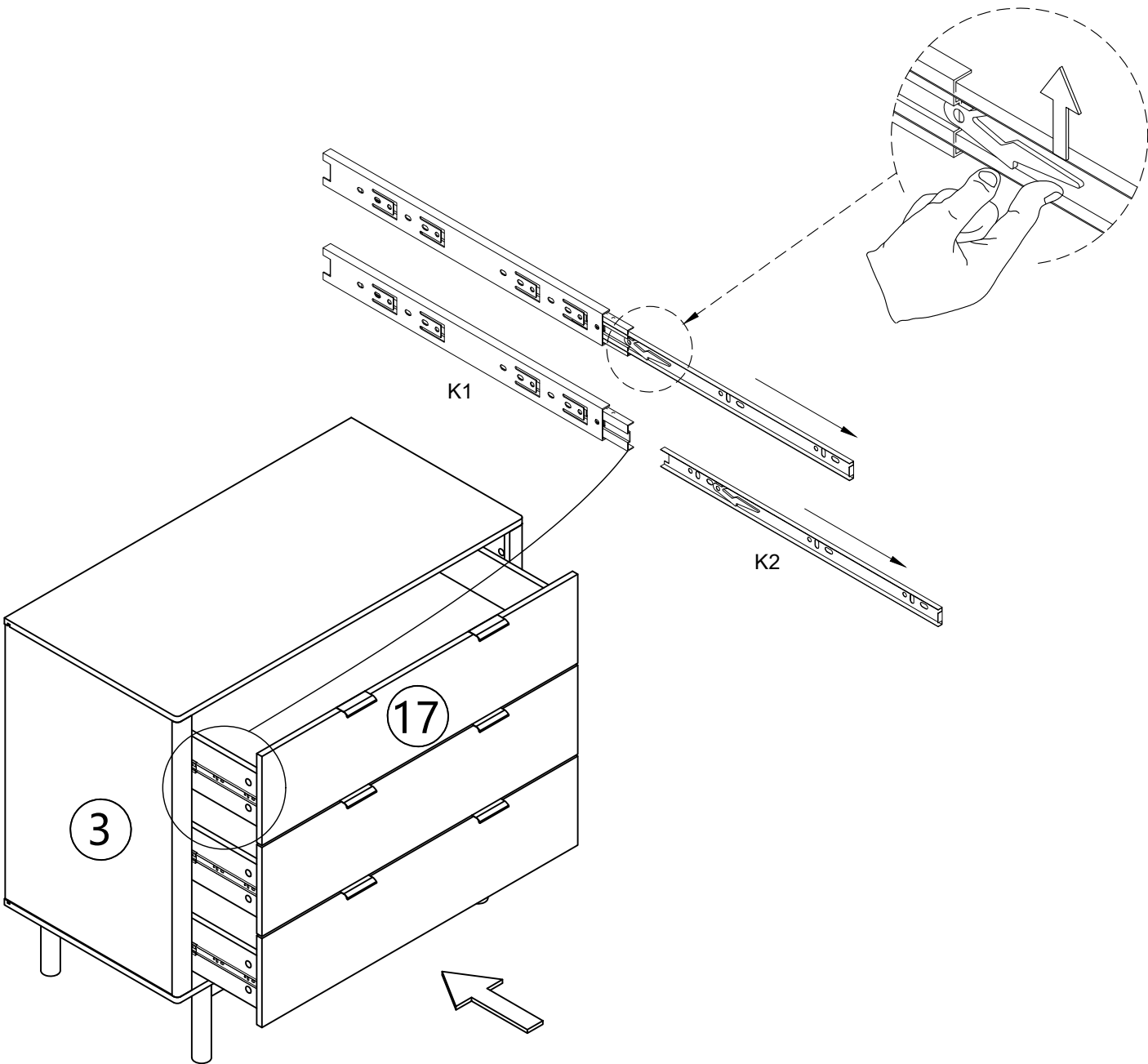
					
8x 40MM	K2		A1 A2	3.5 x 14MM	
(B) × 6PCS	(K) × 6PCS	(G) × 12PCS	(A) × 24PCS	(E) × 24PCS	(J) × 6PCS

Step 9

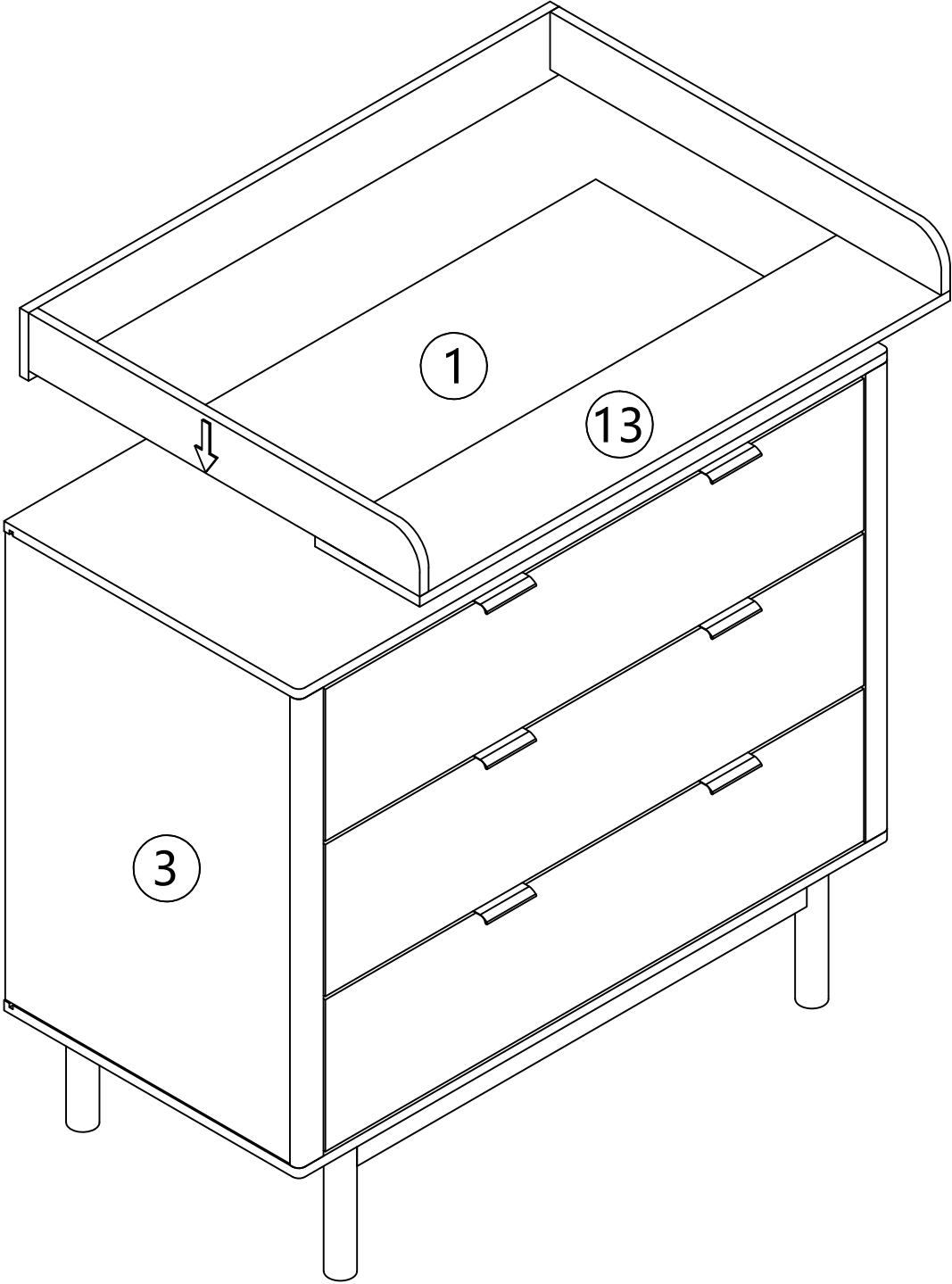


G x8PCS

Step 10

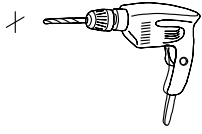


Step 11

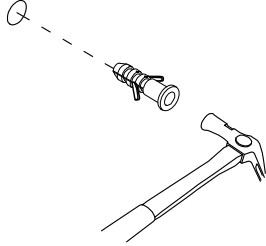


Step 12

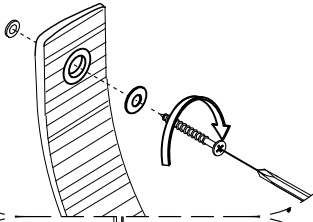
1.



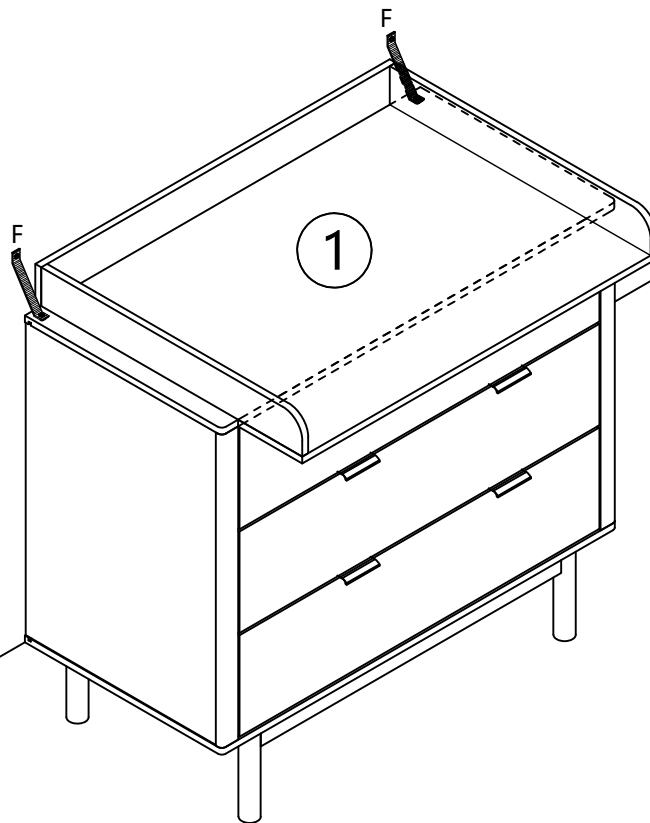
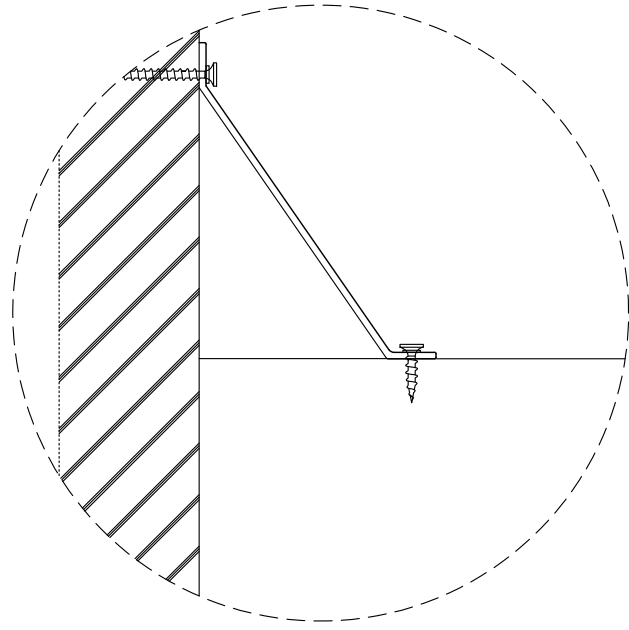
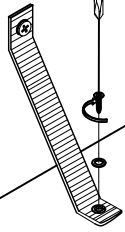
2.



3.



4.



ⓕ × 2SETS